

---

## ***Intermot Hydraulic Motors IHM Series***

---

### ***TECHNICAL CATALOGUE***

---

#### ***INDEX***

MOTOR TECHNICAL DATA	Pag. 2
IHM H1 SERIES	Pag. 4
IHM H1.5 SERIES	Pag. 8
IHM H2 SERIES	Pag. 12
IHM H3 SERIES	Pag. 16
IHM H4 SERIES	Pag. 20
IHM H5 SERIES	Pag. 24
IHM H6 SERIES	Pag. 28
IHM H7 SERIES	Pag. 32
FLOW DISTRIBUTORS	Pag. 36

## Motor Technical Data

MODEL		N° of pistons	Displacement	Pressure		Speed		Torque		Dry Mass
				Max Cont.	Peak	Minimum speed	Max speed	Rated	Specific	
				cm3/rev	bar		rpm		Nm	
IHM H1	70	5	77	250	320	15	1500	284	11	20
	80		91	250	320	15	1250	335	13	
	100		96	250	320	15	1000	355	14	
	125		126	200	250	15	1000	371	19	
	150		159	160	200	15	1000	376	24	
	200		196	160	200	15	800	464	29	
IHM H1.5	100	5	113	250	320	15	1250	419	17	27
	125		138	250	320	15	1250	512	20	
	150		159	250	320	15	1000	588	24	
	175		180	200	250	15	1000	532	27	
	200		207	200	250	8	800	611	31	
	250		235	160	200	8	630	556	35	
	280		276	160	200	8	500	653	41	
IHM H2	175	5	181	250	320	8	1000	670	27	35
	200		201	250	320	8	800	743	30	
	220		222	250	320	8	800	819	33	
	250		254	200	250	8	630	752	38	
	300		289	200	250	8	500	856	43	
	350		340	200	250	8	400	1000	50	
	400		380	180	225	8	350	1008	56	
IHM H3	400	5	397	250	320	5	630	1469	59	57,5
	450		452	250	320	5	630	1672	67	
	500		491	200	250	5	500	1451	73	
	600		594	200	250	4	500	1756	88	
	700		683	160	200	4	400	1616	101	
	750		754	160	200	4	320	1785	112	

MODEL	N° of pistons	Displacement	Pressure		Speed		Torque		Dry Mass
			Max Cont.	Peak	Minimum speed	Max speed	Rated	Specific	
		cm3/rev	bar		rpm		Nm	Nm/MPa	kg
IHM H4	700	707	250	320	4	400	2612	104	94
	800	784	250	320	4	400	2899	116	
	900	894	250	320	4	400	3306	132	
	1000	981	200	250	3	320	2902	145	
	1100	1104	200	250	3	320	3265	163	
	1200	1234	160	200	3	320	2919	182	
	1300	1301	160	200	3	250	3079	192	
IHM H5	1400	1413	250	320	2	400	5224	209	170
	1600	1648	200	250	2	400	4874	244	
	1800	1815	200	250	2	350	5367	268	
	2000	2035	180	225	2	350	5416	301	
	2400	2267	160	200	2	250	5364	335	
IHM H6	2500	2553	250	320	2	200	9438	378	298
	2800	2683	200	250	1	200	7935	397	
	3000	3063	200	250	1	200	9057	453	
	3200	3218	200	250	1	160	9518	476	
	3500	3561	200	250	1	160	10530	527	
	4000	4153	180	225	1	160	11053	614	
	4500	4522	160	200	1	160	10698	669	
	5000	4828	160	200	1	160	11423	714	
IHM H7	5000	4968	200	250	1	160	14626	731	550
	5400	5452	200	250	1	160	16125	806	
	6000	5984	200	250	0,5	125	17697	885	
	6300	6540	180	220	0,5	125	17408	967	
	7000	7122	160	200	0,5	125	16849	1053	

---

# ***Intermot Hydraulic Motors***

## ***IHM Series***

---

### ***H1 Models***

---

***IHM 70 – 80 – 100 – 125 – 150 – 200 H1***

---

## ***INDEX***

TECHNICAL DATA	Pag. 5
IHM 70 – 80 – 100 – 125	
150 – 200 H1	Pag. 6
ORDERING INSTRUCTIONS	Pag. 7

# IHM H1

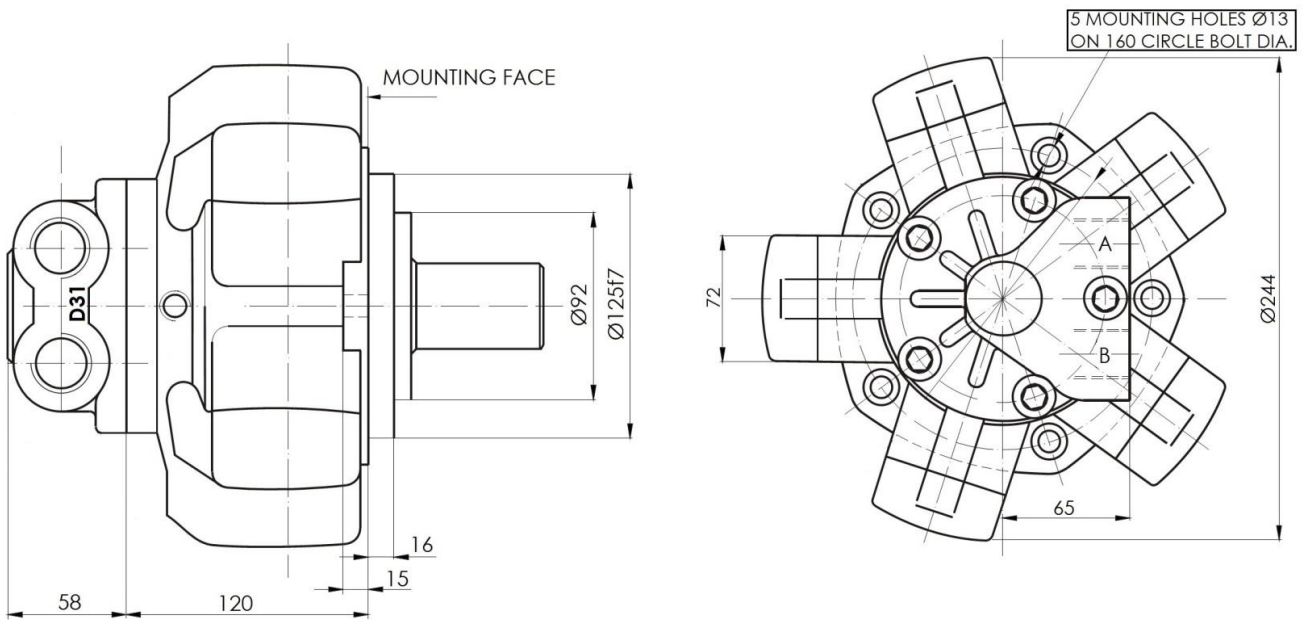
## Technical data

MODEL		N° of pistons	Displacement	Pressure		Speed		Torque		Dry Mass
				Max Cont.	Peak	Minimum speed	Max speed	Rated	Specific	
			cm3/rev	bar		rpm		Nm	Nm/MPa	kg
IHM H1	70	5	77	250	320	15	1500	284	11	20
	80		91	250	320	15	1250	335	13	
	100		96	250	320	15	1000	355	14	
	125		126	200	250	15	1000	371	19	
	150		159	160	200	15	1000	376	24	
	200		196	160	200	15	800	464	29	

# IHM H1

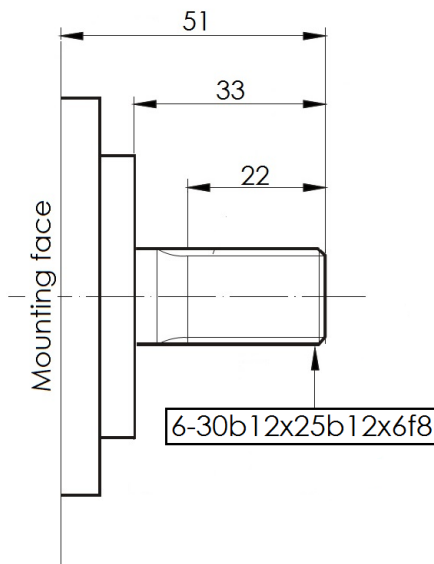
## Dimensional drawings

### IHM 70 – 80 – 100 – 125 – 150 – 200 H1

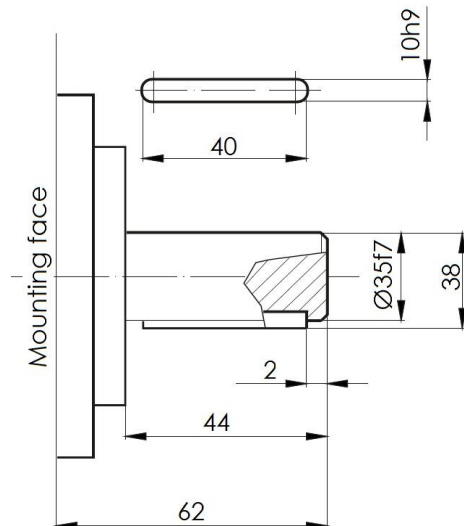


#### SHAFTS

##### A0: Standard Splined Shaft



##### A2: Parallel Shaft on Request



For further shaft configurations, please contact our technical department

# IHM H1

## Ordering instructions

IHM	---	H1	A _	D _ _
Model	Displacement	Housing	Shaft	Distributor
70 cc/rev				
80 cc/rev				
100 cc/rev				
125 cc/rev				
150 cc/rev				
200 cc/rev				
H1				
A0 – Standard splined shaft				
A2 – Parallel keyed shaft				
D31 – ¾" BSP				
D310 – 1" BSP				
D40 – 1" BSP				
D47 – SAE 1" 3000 psi flange				

**EXAMPLE : IHM 100 H1 A0 D31**

---

# ***Intermot Hydraulic Motors***

## ***IHM Series***

---

### ***H1.5 Models***

---

***IHM 100 – 125 – 150 – 175 – 200 – 250 – 280 H1.5***

---

## ***INDEX***

TECHNICAL DATA	Pag. 9
IHM 100 – 125 – 150 – 175	
200 – 250 – 280 H1.5	Pag. 10
ORDERING INSTRUCTIONS	Pag. 11



## **IHM H1.5**

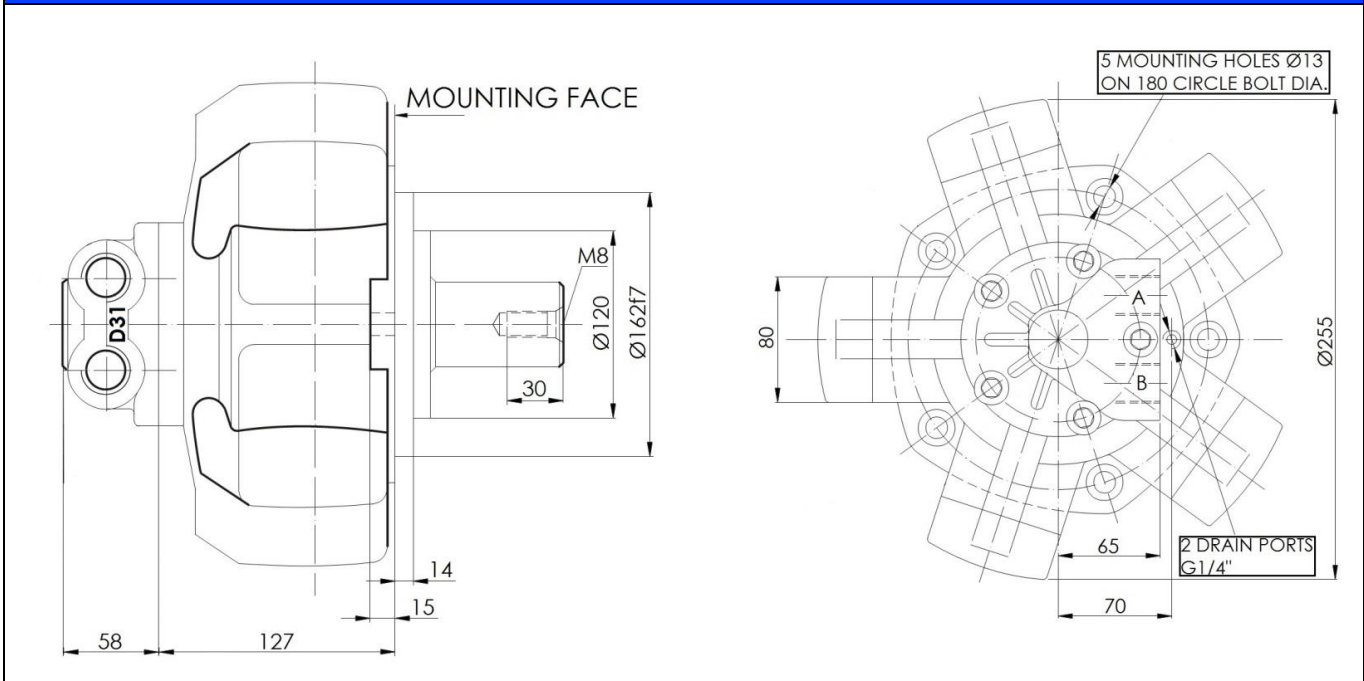
### **Technical data**

MODEL	N° of pistons	Displacement	Pressure		Speed		Torque		Dry Mass	
			Max Cont.	Peak	Minimum speed	Max speed	Rated	Specific		
		cm3/rev	bar		rpm		Nm	Nm/MPa	kg	
<b>IHM H1.5</b>	<b>100</b>	5	113	250	320	15	1250	419	17	<b>27</b>
	<b>125</b>	138	250	320	15	1250	512	20		
	<b>150</b>	159	250	320	15	1000	588	24		
	<b>175</b>	180	200	250	15	1000	532	27		
	<b>200</b>	207	200	250	8	800	611	31		
	<b>250</b>	235	160	200	8	630	556	35		
	<b>280</b>	276	160	200	8	500	653	41		

# IHM H1.5

## Dimensional drawings

### IHM 100 – 125 – 150 – 175 – 200 – 250 – 280 H1.5



### SHAFTS

A0: Standard Splined Shaft	A2: Parallel Shaft on Request	A3: Internal Splined Shaft

For further shaft configurations, please contact our technical department

# IHM H1.5

## Ordering instructions

IHM	---	H1.5	A _	D _ _
Model				
	<b>Displacement</b>			
	100 cc/rev			
	125 cc/rev			
	150 cc/rev			
	175 cc/rev			
	200 cc/rev			
	250 cc/rev			
	280 cc/rev			
		<b>Housing</b>		
	H1.5			
			<b>Shaft</b>	
	A0 – Standard splined shaft			
	A2 – Parallel keyed shaft			
	A3 – Internal Splined shaft			
				<b>Distributor</b>
	D31 – ¾" BSP			
	D310 – 1" BSP			
	D40 – 1" BSP			
	D47 – SAE 1" 3000 psi flange			

**EXAMPLE : IHM 250 H1.5 A0 D31**

---

# ***Intermot Hydraulic Motors IHM Series***

---

## ***H2 Models***

---

***IHM 175 – 200 – 220 – 250 – 300 – 350 – 400 H2***

---

## ***INDEX***

TECHNICAL DATA	Pag. 13
IHM 175 – 200 – 220 – 250	
300 – 350 – 400 H2	Pag. 14
ORDERING INSTRUCTIONS	Pag. 15

## IHM H2

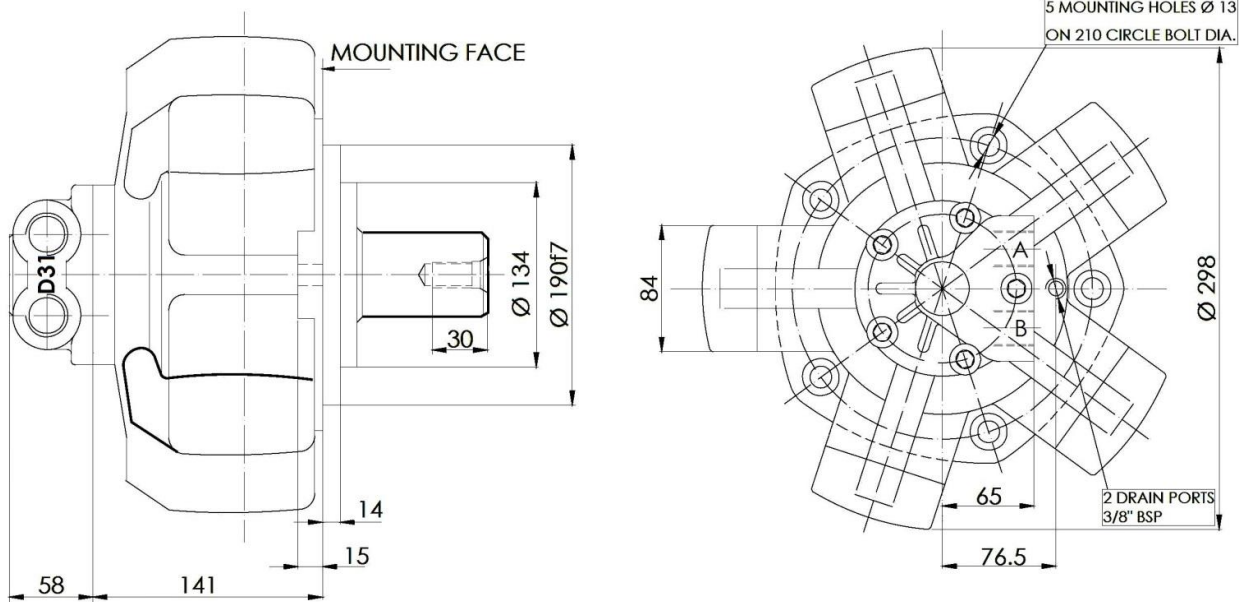
### Technical data

MODEL		N° of pistons	Displacement	Pressure		Speed		Torque		Dry Mass
				Max Cont.	Peak	Minimum speed	Max speed	Rated	Specific	
			cm3/rev	bar		rpm		Nm	Nm/MPa	kg
IHM H2	175	5	181	250	320	8	1000	670	27	35
	200		201	250	320	8	800	743	30	
	220		222	250	320	8	800	819	33	
	250		254	200	250	8	630	752	38	
	300		289	200	250	8	500	856	43	
	350		340	200	250	8	400	1000	50	
	400		380	180	225	8	350	1008	56	

# IHM H2

## Dimensional drawings

### IHM 175 – 200 – 220 – 250 – 300 – 350 – 400 H2

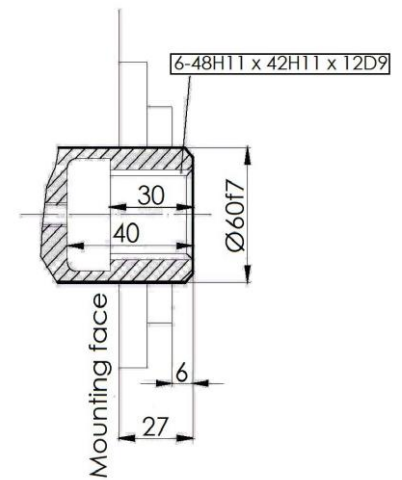
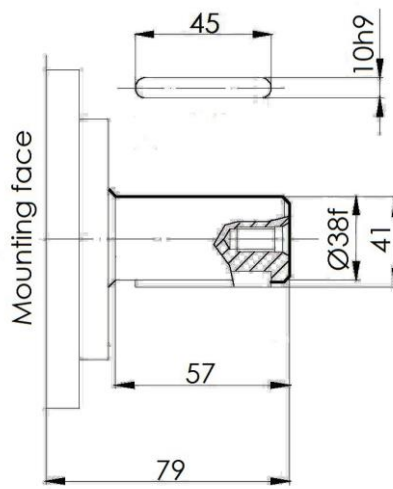
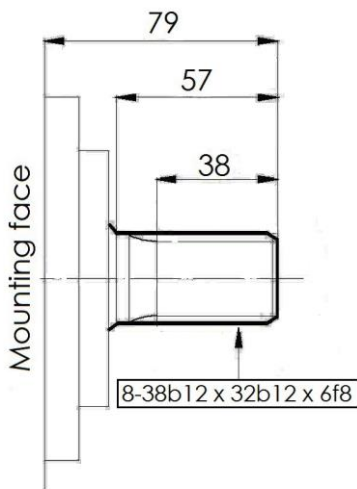


#### SHAFTS

A0: Standard Splined Shaft

A2: Parallel Shaft on Request

A3: Internal Splined Shaft



For further shaft configurations, please contact our technical department

# IHM H2

## Ordering instructions

IHM	---	H2	A _	D _ _
Model				
	<b>Displacement</b>			
175 cc/rev				
200 cc/rev				
220 cc/rev				
220 cc/rev				
250 cc/rev				
300 cc/rev				
350 cc/rev				
400 cc/rev				
		<b>Housing</b>		
H2				
			<b>Shaft</b>	
A0 – Standard splined shaft				
A2 – Parallel keyed shaft				
A3 – Internal splined shaft				
				<b>Distributor</b>
D31 – ¾" BSP				
D310 – 1" BSP				
D40 – 1" BSP				
D47 – SAE 1" 3000 psi flange				

**EXAMPLE : IHM 400 H2 A0 D40**

***Intermot Hydraulic Motors  
IHM Series***

---

***H3 Models***

---

***IHM 400 – 450 – 500 – 600 – 700 – 750 H3***

---

***INDEX***

TECHNICAL DATA	Pag. 17
IHM 400 – 450 – 500 – 600	
700 – 750 H3	Pag. 18
ORDERING INSTRUCTIONS	Pag. 19



# IHM H3

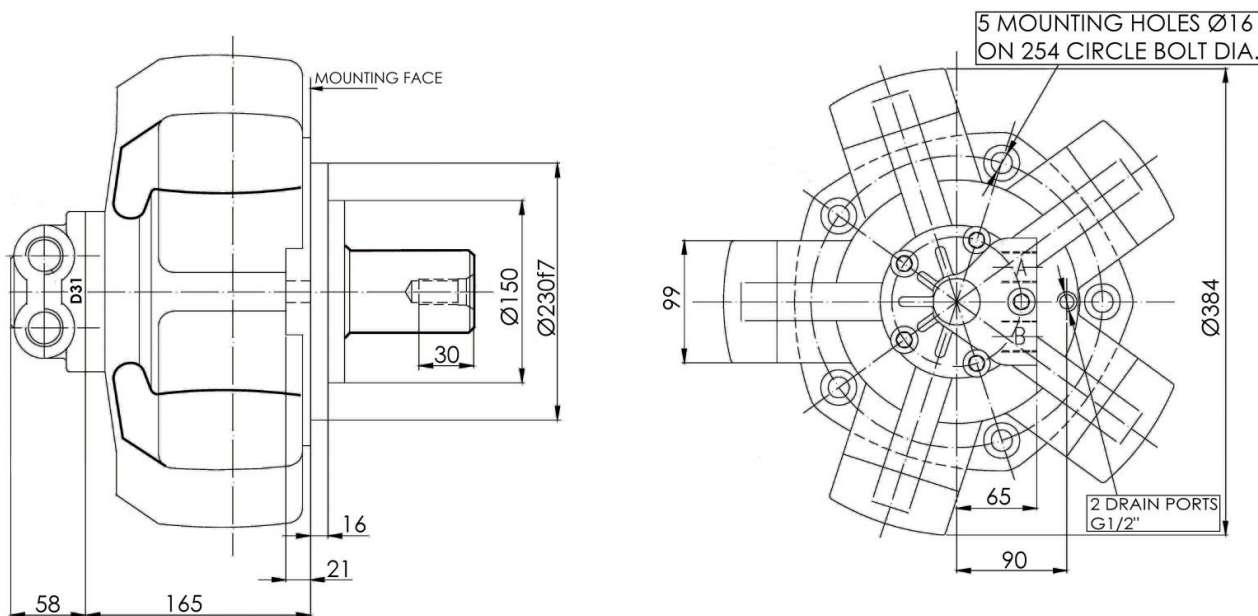
## Technical data

MODEL	N° of pistons	Displacement	Pressure		Speed		Torque		Dry Mass
			Max Cont.	Peak	Minimum speed	Max speed	Rated	Specific	
		cm3/rev	bar		rpm		Nm	Nm/MPa	kg
IHM H3	400	397	250	320	5	630	1469	59	57,5
	450	452	250	320	5	630	1672	67	
	500	491	200	250	5	500	1451	73	
	600	594	200	250	4	500	1756	88	
	700	683	160	200	4	400	1616	101	
	750	754	160	200	4	320	1785	112	

# IHM H3

## Dimensional drawings

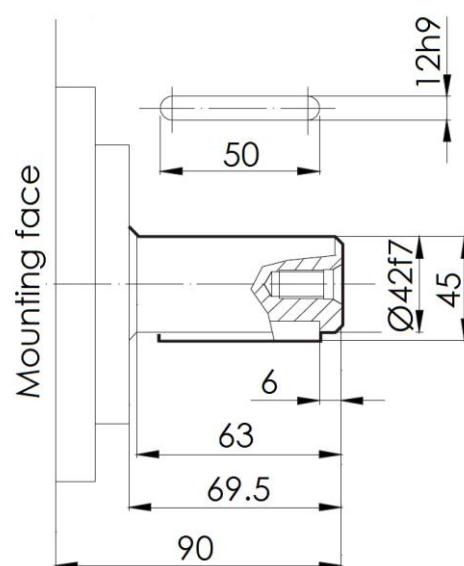
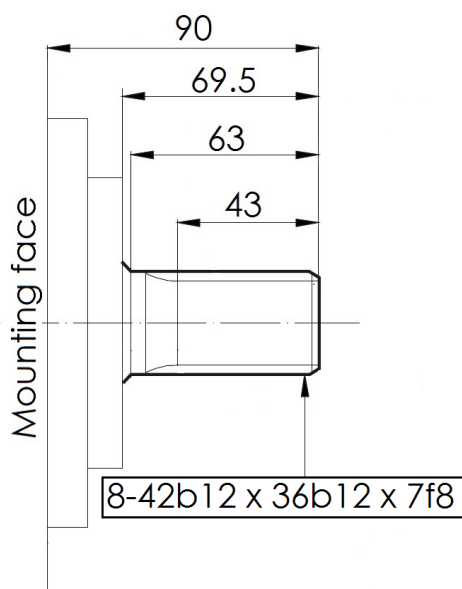
### IHM 400 – 450 – 500 – 600 – 700 – 750 H3



#### SHAFTS

A0: Standard splined shaft

A1: Splined shaft on request



For further shaft configurations, please contact our technical department

# IHM H3

## Ordering instructions

IHM	---	H3	A _	D _ _
Model	Displacement	Housing	Shaft	Distributor
400 cc/rev				
450 cc/rev				
500 cc/rev				
600 cc/rev				
700cc/rev				
750 cc/rev				
H3				
A0 – Standard splined shaft				
A2 – Parallel keyed shaft				
D31 – ¾" BSP				
D310 – 1" BSP				
D40 – 1" BSP				
D47 – SAE 1" 3000 psi flange				

**EXAMPLE : IHM 600 H3 A0 D40**

---

# ***Intermot Hydraulic Motors***

## ***IHM Series***

---

### ***H4 Models***

---

***IHM 700 – 800 – 900 – 1000 – 1100 – 1200 – 1300 H4***

---

## ***INDEX***

TECHNICAL DATA	Pag. 21
IHM 700 – 800 – 900 – 1000	
1100 – 1200 – 1300 H4	Pag. 22
ORDERING INSTRUCTIONS	Pag. 23

## **IHM H4**

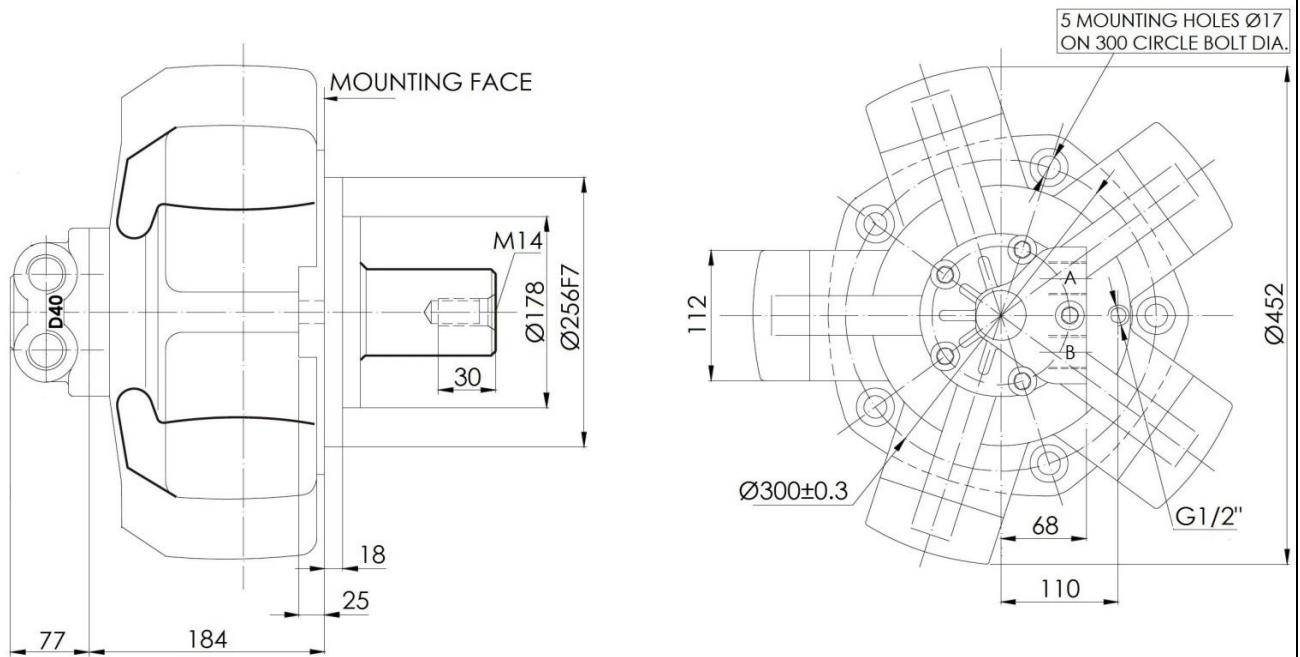
### **Technical data**

MODEL	N° of pistons	Displacement	Pressure		Speed		Torque		Dry Mass
			Max Cont.	Peak	Minimum speed	Max speed	Rated	Specific	
		cm3/rev	bar		rpm		Nm	Nm/MPa	kg
<b>IHM H4</b>	<b>700</b>	707	250	320	4	400	2612	104	94
	<b>800</b>	784	250	320	4	400	2899	116	
	<b>900</b>	894	250	320	4	400	3306	132	
	<b>1000</b>	981	200	250	3	320	2902	145	
	<b>1100</b>	1104	200	250	3	320	3265	163	
	<b>1200</b>	1234	160	200	3	320	2919	182	
	<b>1300</b>	1301	160	200	3	250	3079	192	

# IHM H4

## Dimensional drawings

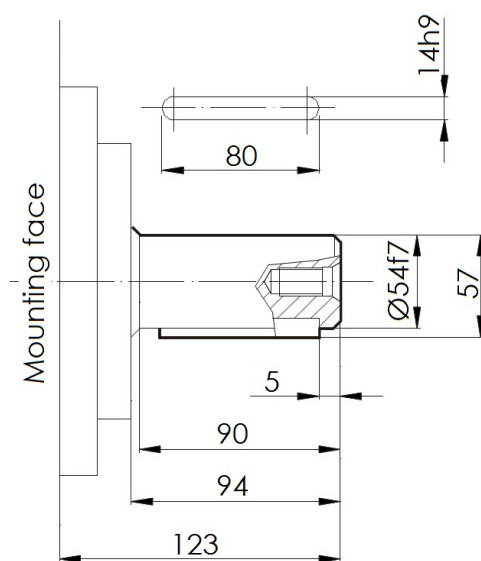
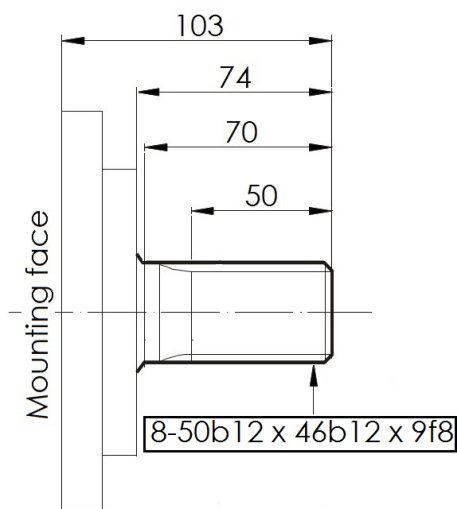
### IHM 700 – 800 – 900 – 1000 – 1100 – 1200 – 1300 H4



### SHAFTS

A0: Standard splined shaft

A2: Parallel shaft on request



For further shaft configurations, please contact our technical department

# IHM H4

## Ordering instructions

IHM	_ _ _ _	H4	A _	D _ _
Model				
<b>Displacement</b>				
700 cc/rev				
800 cc/rev				
900 cc/rev				
1000 cc/rev				
1100 cc/rev				
1200 cc/rev				
1300 cc/rev				
		<b>Housing</b>		
H4				
			<b>Shaft</b>	
A0 – Standard splined shaft				
A2 – Parallel keyed shaft				
				<b>Distributor</b>
D31 – ¾" BSP				
D310 – 1" BSP				
D40 – 1" BSP				
D47 – SAE 1" 3000 psi flange				

**EXAMPLE : IHM 1000 H4 A0 D40**

---

# ***Intermot Hydraulic Motors***

## ***IHM Series***

---

### ***H5 Models***

---

***IHM 1400 – 1600 – 1800 – 2000 – 2400 H5***

---

## ***INDEX***

TECHNICAL DATA	Pag. 25
IHM 1400 – 1600 – 1800	
2000 – 2400 H5	Pag. 26
ORDERING INSTRUCTIONS	Pag. 27



## IHM H5

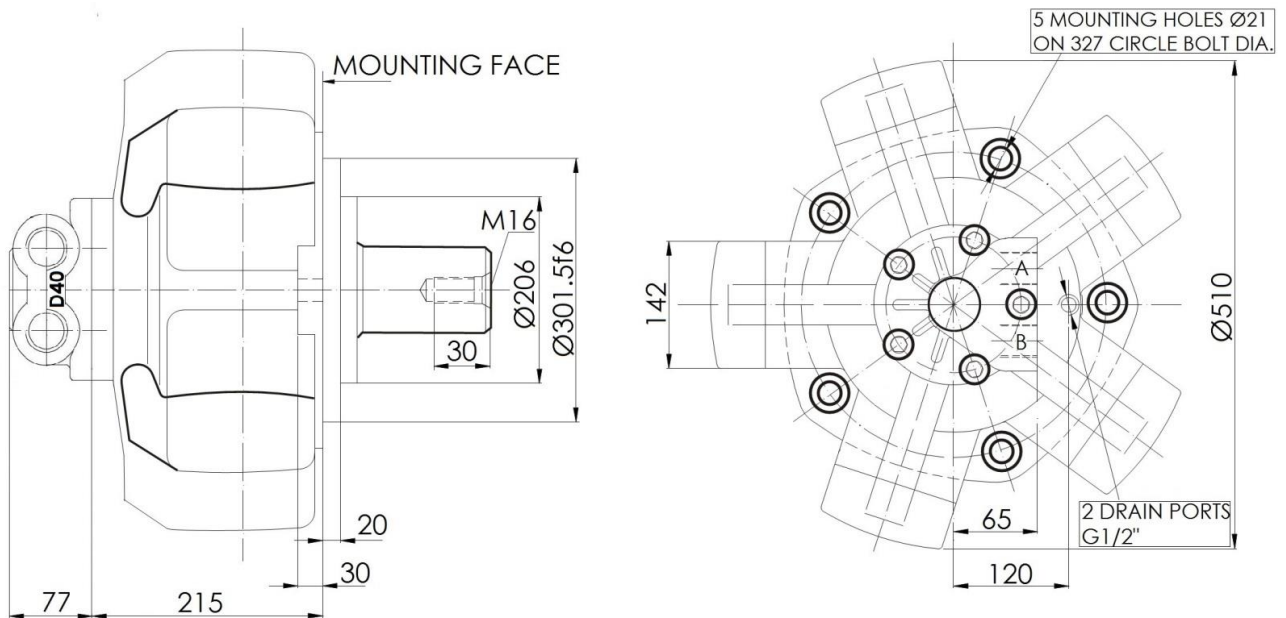
### Technical data

MODEL		N° of pistons	Displacement	Pressure		Speed		Torque		Dry Mass
				Max Cont.	Peak	Minimum speed	Max speed	Rated	Specific	
			cm3/rev	bar		rpm		Nm	Nm/MPa	kg
IHM H5	1400	5	1413	250	320	2	400	5224	209	170
	1600		1648	200	250	2	400	4874	244	
	1800		1815	200	250	2	350	5367	268	
	2000		2035	180	225	2	350	5416	301	
	2400		2267	160	200	2	250	5364	335	

# IHM H5

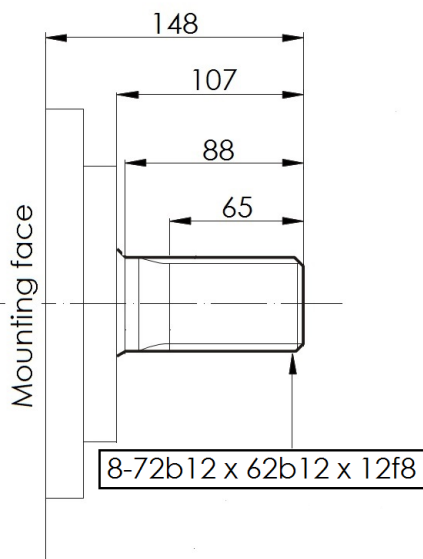
## Dimensional drawings

### IHM 1400 – 1600 – 1800 – 2000 – 2400 H5

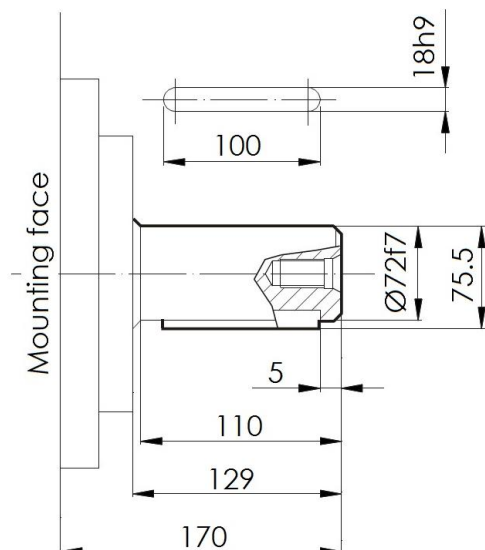


### SHAFTS

A0: Standard splined shaft



A2: Parallel shaft on request



For further shaft configurations, please contact our technical department

# IHM H5

## Ordering instructions

IHM	_ _ _ _	H5	A _	D _ _
<b>Model</b>				
	<b>Displacement</b>			
	1400 cc/rev			
	1600 cc/rev			
	1800 cc/rev			
	2000 cc/rev			
	2400 cc/rev			
		<b>Housing</b>		
	H5			
			<b>Shaft</b>	
	A0 – Standard splined shaft			
	A2 – Parallel shaft on request			
				<b>Distributor</b>
				D90 – SAE 1 ½ " 6000 psi flange

**EXAMPLE : IHM 1800 H5 A0 D90**

***Intermot Hydraulic Motors  
IHM Series***

---

***H6 Model***

---

***IHM 2500–2800–3000–3200–3500–4000–4500–5000 H6***

---

***INDEX***

TECHNICAL DATA	Pag. 29
IHM 2500–2800–3000–3200	
3500–4000–4500–5000 H6	Pag. 30
ORDERING INSTRUCTIONS	Pag. 31

# IHM H6

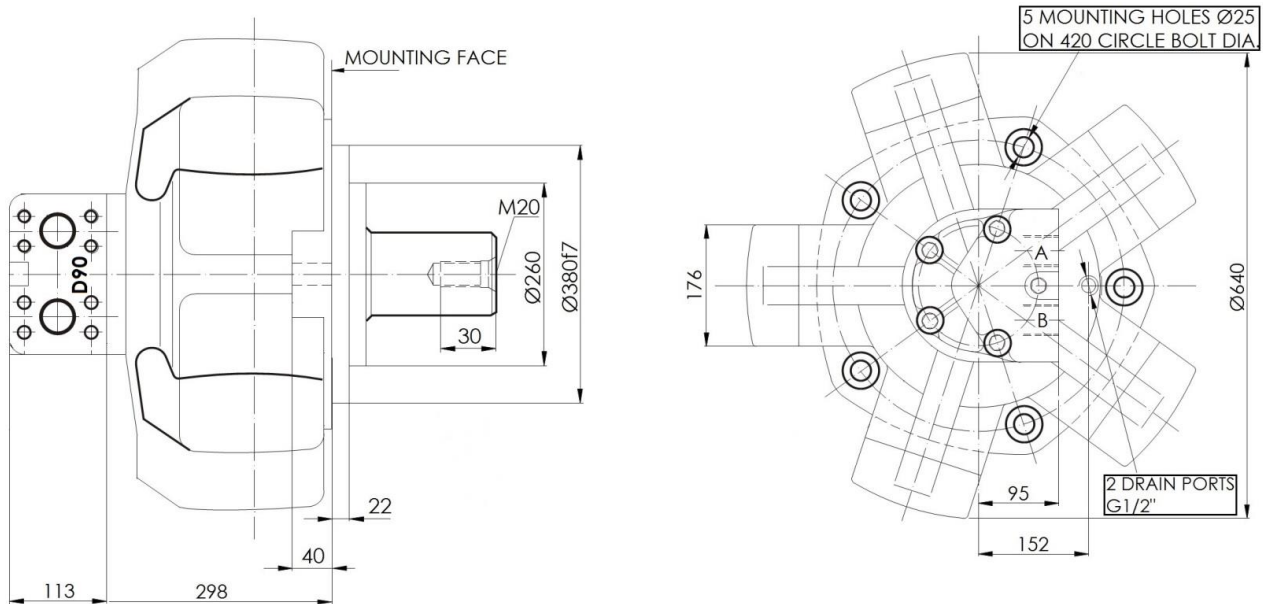
## Technical data

MODEL	N° of pistons	Displacement cm3/rev	Pressure		Speed		Torque		Dry Mass kg
			Max Cont.	Peak	Minimum speed	Max speed	Rated	Specific	
			bar		rpm		Nm	Nm/MPa	
IHM H6	2500	2553	250	320	2	200	9438	378	298
	2800	2683	200	250	1	200	7935	397	
	3000	3063	200	250	1	200	9057	453	
	3200	3218	200	250	1	160	9518	476	
	3500	3561	200	250	1	160	10530	527	
	4000	4153	180	225	1	160	11053	614	
	4500	4522	160	200	1	160	10698	669	
	5000	4828	160	200	1	160	11423	714	

# IHM H6

## Dimensional drawings

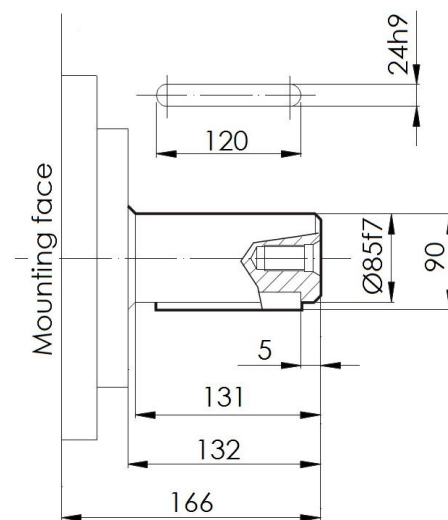
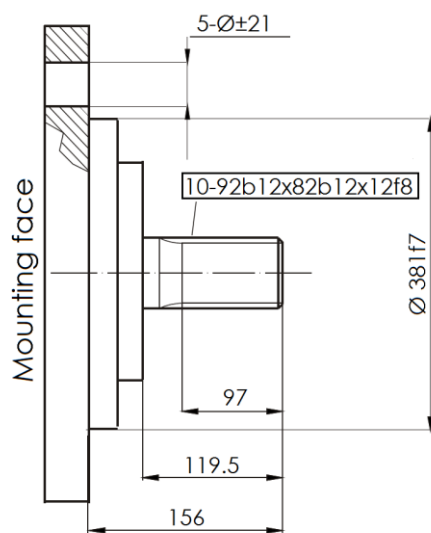
### IHM 2500-2800-3000-3200-3500-4000-4500-5000 H6



### SHAFTS

A0: Standard splined shaft

A2: Parallel Shaft on Request



For further shaft configurations, please contact our technical department

# IHM H6

## Ordering instructions

IHM	-----	H6	A __	D __
Model	Displacement	Housing	Shaft	Distributor
2500 cc/rev				
2800 cc/rev				
3000 cc/rev				
3200 cc/rev				
3500 cc/rev				
4000 cc/rev				
4500 cc/rev				
5000 cc/rev				
H6				
A0 – Standard splined shaft				
A2 – Parallel keyed shaft				
D90 – SAE 1 ½ " 6000 psi flange				

**EXAMPLE : IHM 3000 H6 A0 D90**

---

# ***Intermot Hydraulic Motors IHM Series***

---

## ***H7 Model***

---

***IHM 5000 – 5400 – 6000 – 6300 – 7000 H7***

---

## ***INDEX***

TECHNICAL DATA	Pag. 33
IHM 5000 – 5400 – 6000	
6300 - 7000 H7	Pag. 34
ORDERING INSTRUCTIONS	Pag. 35



# IHM H7

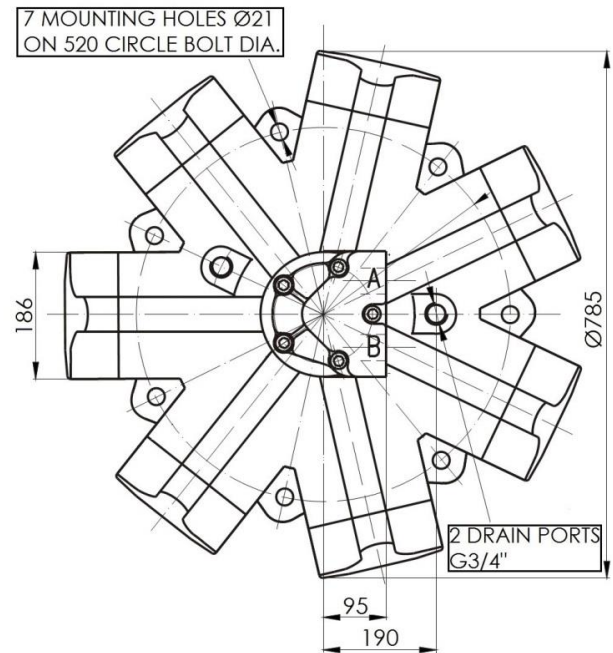
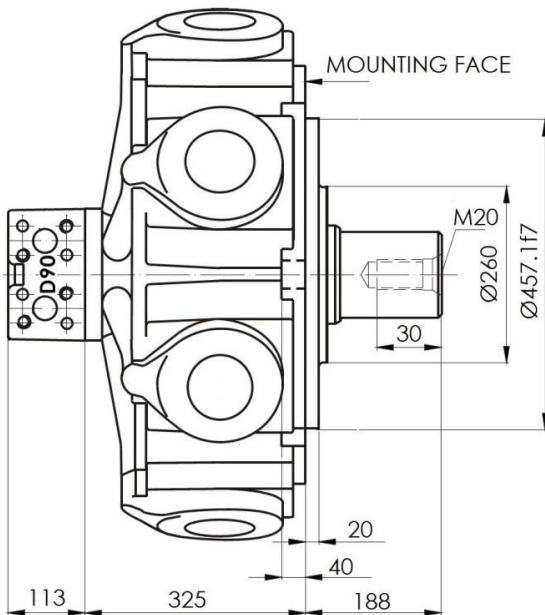
## Technical data

MODEL		N° of pistons	Displacement	Pressure		Speed		Torque		Dry Mass
				Max Cont.	Peak	Minimum speed	Max speed	Rated	Specific	
			cm3/rev	bar		rpm		Nm	Nm/MPa	kg
IHM H7	5000	7	4968	200	250	1	160	14626	731	550
	5400		5452	200	250	1	160	16125	806	
	6000		5984	200	250	0,5	125	17697	885	
	6300		6540	180	220	0,5	125	17408	967	
	7000		7122	160	200	0,5	125	16849	1053	

# IHM H7

## Dimensional drawings

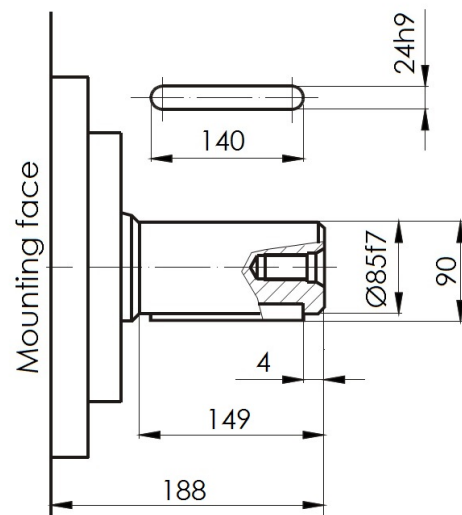
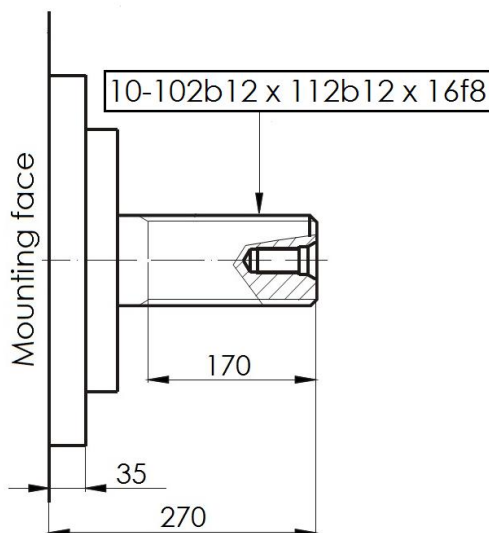
### IHM 5000 – 5400 – 6000 – 6300 – 7000 H7



### SHAFTS

A1: Standard splined shaft

A2: Parallel Shaft on Request



For further shaft configurations, please contact our technical department

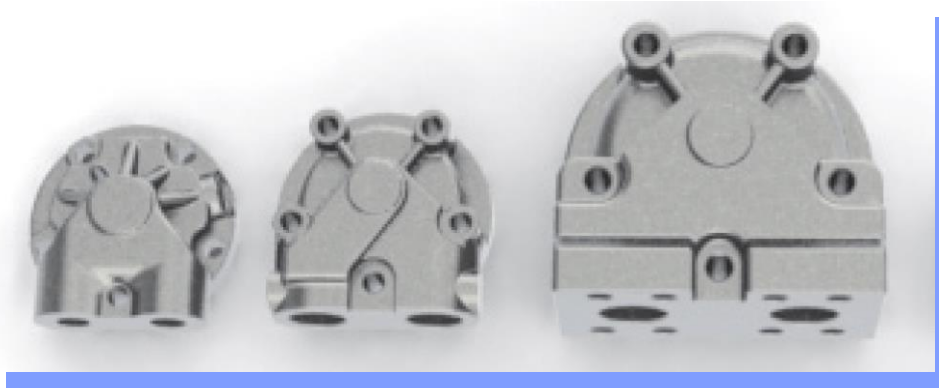
# IHM H7

## Ordering instructions

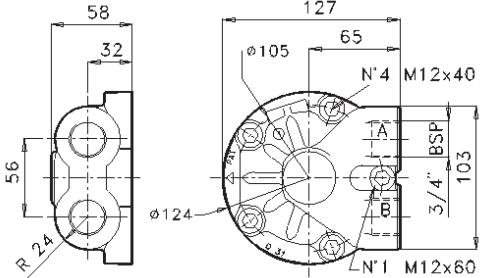
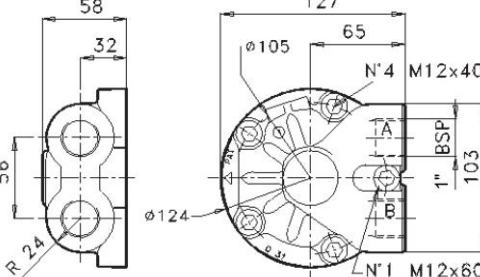
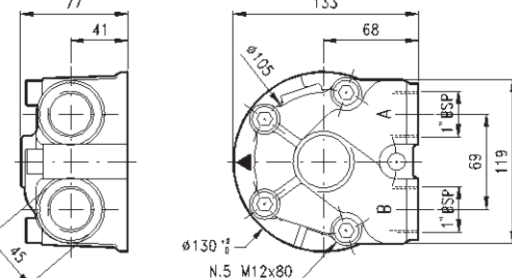
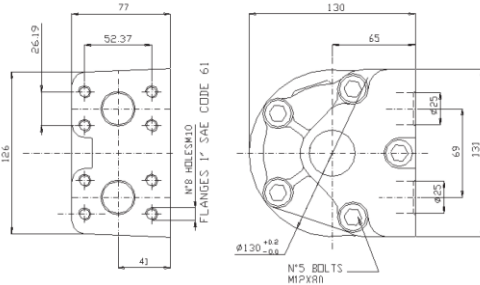
IHM	_ _ _ _	H7	A _ _	D _ _
Model				
	<b>Displacement</b>			
	5000 cc/rev			
	5400 cc/rev			
	6000 cc/rev			
	6300 cc/rev			
	7000 cc/rev			
		<b>Housing</b>		
			<b>Shaft</b>	
	A0 – Standard splined shaft			
	A2 – Parallel keyed shaft			
				<b>Distributor</b>
	D90 – SAE 1 ½ " 6000 psi flange			

**EXAMPLE : IHM 5400 H7 A0 D90**

## Flow distributors



			D31 D310	D40 D47	D90
Speed	[rpm]	cont.	300	1600	700
		max.	500	2400	1200
Pressure	[bar]	cont.	250	250	250
		max.	500	500	500
Flow	[l/min]	cont.	200	200	500
		max.	400	400	1000

<p style="text-align: center; font-weight: bold; font-size: 24px;">D31</p>	<p><b>Distributor with 3/4" BSP ports</b></p> <p><i>Standard for: IAM H1 – IAM H2</i></p> <p><i>Possible for: IAM H3 – IAM H4</i></p>	
<p style="text-align: center; font-weight: bold; font-size: 24px;">D310</p>	<p><b>Distributor with 1" BSP ports</b></p> <p><i>Possible for: IAM H1 – IAM H2 – IAM H3 – IAM H4</i></p>	
<p style="text-align: center; font-weight: bold; font-size: 24px;">D40</p>	<p><b>Distributor with 1" BSP ports</b></p> <p><i>Standard for: IAM H3 – IAM H4</i></p> <p><i>Possible for: IAM H1 – IAM H2</i></p>	
<p style="text-align: center; font-weight: bold; font-size: 24px;">D47</p>	<p><b>Distributor with SAE 1" 3000 psi flanges</b></p> <p><i>Possible for: IAM H1 – IAM H2 – IAM H3 – IAM H4</i></p>	
<p style="text-align: center; font-weight: bold; font-size: 24px;">D90</p>	<p><b>Distributor with SAE 1 1/2" 6000 psi flanges</b></p> <p><i>Standard for: IAM H5 – IAM H6 – IAM H7</i></p>	